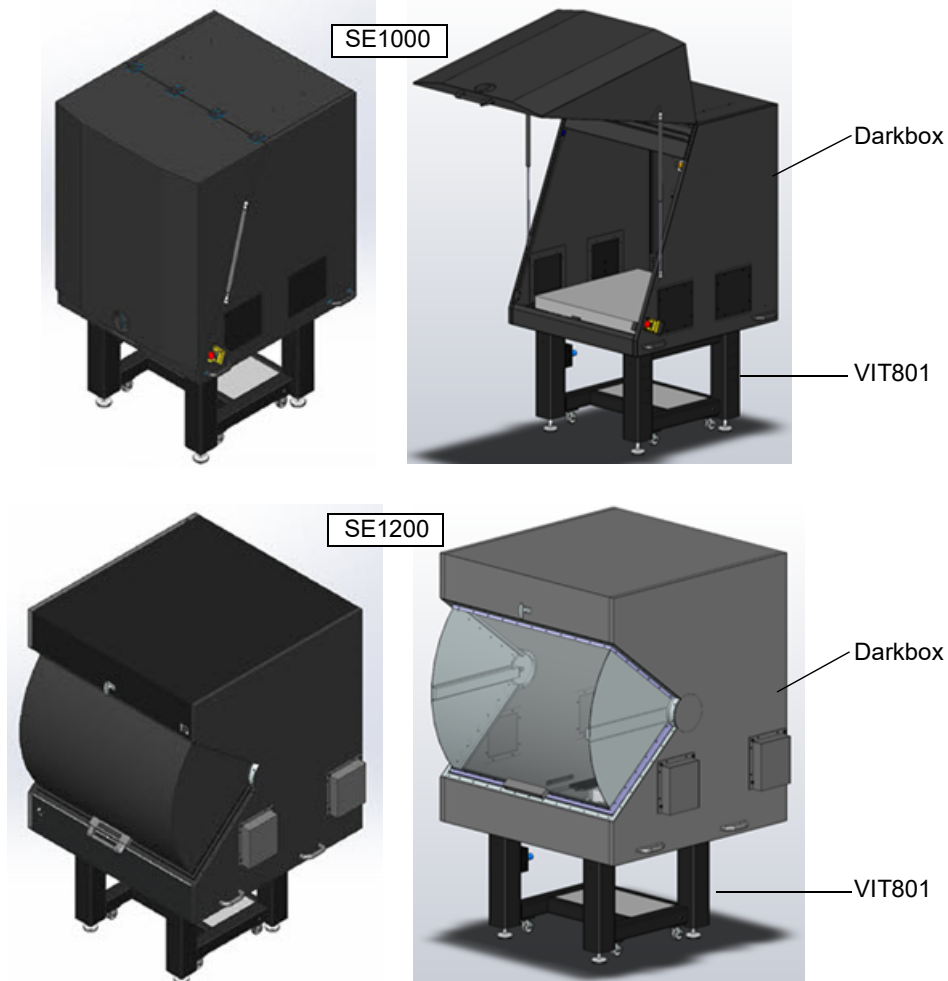


# SE1000, SE1200, and SE750 Shield Enclosure Solutions

This guide defines the facility requirements for operation of the SE1000, SE1200, and SE750 shield enclosures.

## SE1000/SE1200

The SE1000 and SE1200 solutions consist of the darkbox and the VIT801 vibration isolation table.



# SE1000, SE1200, and SE750 Shield Enclosure Solutions

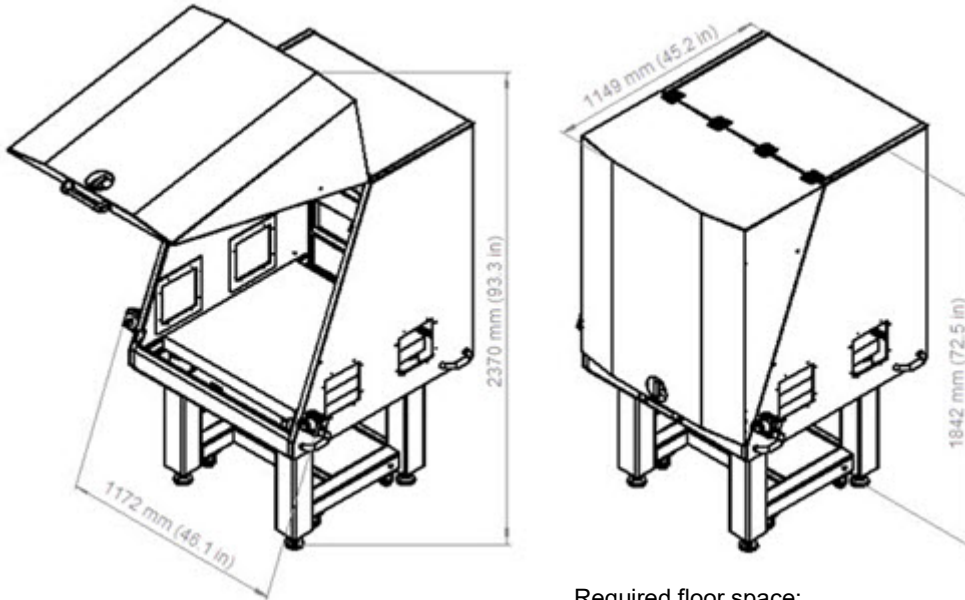
## Facility Requirements

<b>Pressurized air</b>	VIT801	<ul style="list-style-type: none"> <li>• Filtered, dry, and oil-free</li> <li>• 4 bar (58 psi) minimum to 6 bar (87 psi) maximum</li> <li>• Flow rate insignificant</li> <li>• 6 mm (1/4-inch) hose</li> </ul>	
<b>Environmental Conditions</b>	Humidity	<ul style="list-style-type: none"> <li>• Tool area: 25% to 60%</li> <li>• Support equipment area: 25% to 60%</li> </ul>	
	Temperature	<ul style="list-style-type: none"> <li>• Operating range: 19° C to 24° C</li> <li>• Target temperature: 22°C</li> </ul>	
	Pollution level	<ul style="list-style-type: none"> <li>• 1 (IEC 60664)</li> </ul>	
	Clean room class	<ul style="list-style-type: none"> <li>• Class 7 corresponding to DIN EN ISO 14644-1</li> </ul>	
	Vibrations	<ul style="list-style-type: none"> <li>• The facility should be free of vibrations caused by other equipment.</li> </ul>	
<b>Dimensions (WxDxH)</b>	See <a href="#">Dimensions</a> on page 3.		
<b>Weight</b>	Shield enclosure (and VIT adapter)	SE1000	<ul style="list-style-type: none"> <li>• Enclosure = 130 kg (287 pounds)</li> <li>• VIT adapter = 21 kg (46 pounds)</li> </ul>
		SE1200	<ul style="list-style-type: none"> <li>• Enclosure = 160 kg (353 pounds)</li> <li>• VIT adapter = 30 kg (66 pounds)</li> </ul>
	VIT 801	<ul style="list-style-type: none"> <li>• 224 kg (494 pounds)</li> </ul>	
<b>Shipping Dimensions (WxDxH)</b>	Shield enclosure	SE1000	• 1500 x 1420 x 1550 mm (59 x 56x 61 inches)
		SE1200	• 1500 x 1420 x 1550 mm (59 x 56 x 61inches)
	VIT	• 1500 x 1420 x 1220 mm (59 x 56 x 48 inches)	
<b>Shipping Weight</b>	Shield enclosure	SE1000	• ≈200 kg (440 pounds)
		SE1200	• ≈230 kg (510 pounds)
	VIT 801 (with adapter)	• ≈330 kg (730 pounds)	

# SE1000, SE1200, and SE750 Shield Enclosure Solutions

## Dimensions

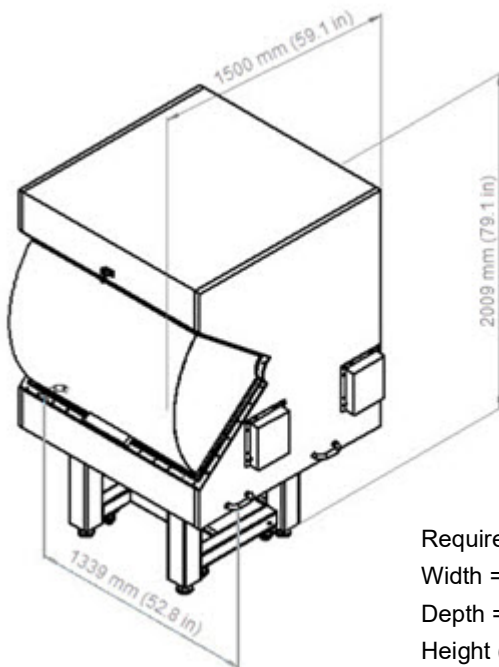
### SE1000



Required floor space:

- Width = 1.3 m (51.2 in)
- Depth = 2 m (78.7 in)
- Height (with table and front lid open) = 2.5 m (98.4 in)

### SE1200



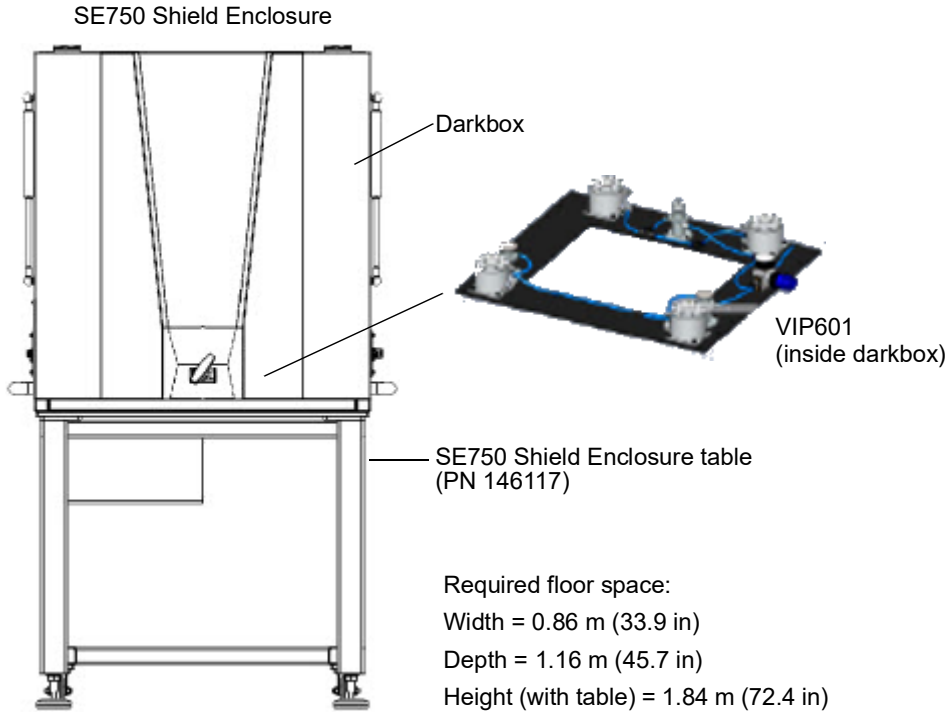
Required floor space:

- Width = 1.5 m (59 in)
- Depth = 1.3 m (51.2 in)
- Height (with table) = 2.1 m (82.7 in)

# SE1000, SE1200, and SE750 Shield Enclosure Solutions

## SE750 Shield Enclosure

The SE750 solution consists of the darkbox and the VIP601 vibration isolation platform (optionally contained inside the darkbox), assembled on the SE750 Shield Enclosure table (PN 146117).)



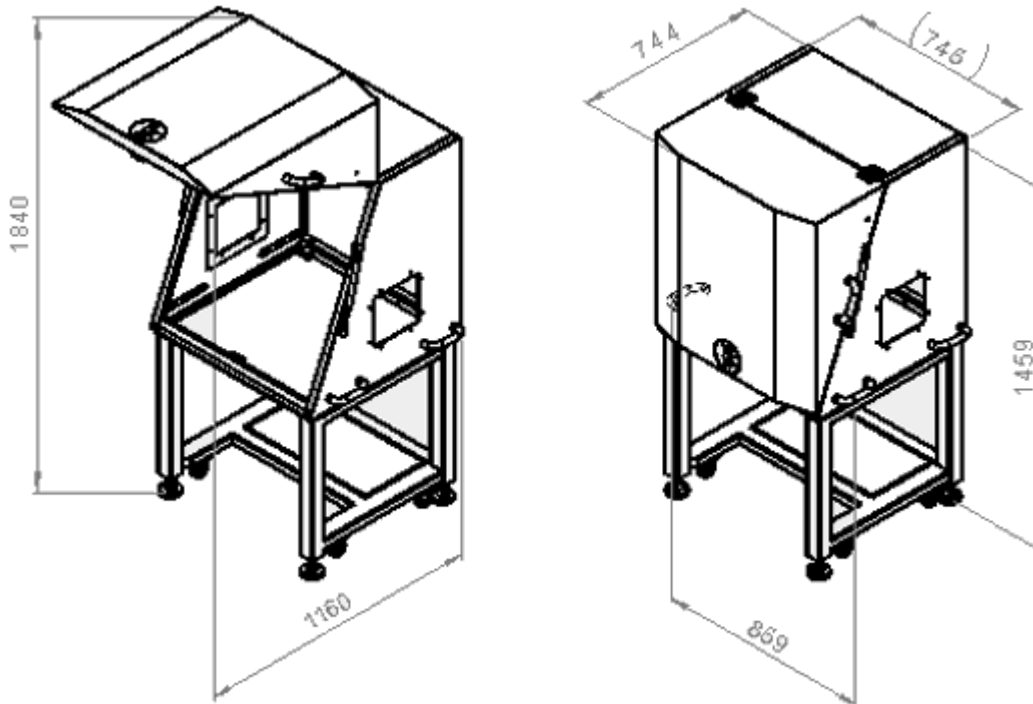
## Facility Requirements

<b>Pressurized air</b>	VIP601	<ul style="list-style-type: none"> <li>• Filtered, dry, and oil-free</li> <li>• 4 bar (58 psi) minimum to 6 bar (87 psi) maximum</li> <li>• Flow rate insignificant</li> <li>• 6 mm (1/4-inch) hose</li> </ul>
<b>Environmental Conditions</b>	Humidity	<ul style="list-style-type: none"> <li>• Tool area: 25% to 60%</li> <li>• Support equipment area: 25% to 60%</li> </ul>
	Temperature	<ul style="list-style-type: none"> <li>• Operating range: 19° C to 24° C</li> <li>• Target temperature: 22°C</li> </ul>
	Pollution level	<ul style="list-style-type: none"> <li>• 1 (IEC 60664)</li> </ul>
	Clean room class	<ul style="list-style-type: none"> <li>• Class 7 corresponding to DIN EN ISO 14644-1</li> </ul>
	Vibrations	The facility should be free of vibrations caused by other equipment.
<b>Dimensions (WxDxH)</b>	See <a href="#">Dimensions</a> on page 5.	
<b>Weight</b>	SE750 with VIP601 on table	<ul style="list-style-type: none"> <li>• 250 kg (551 pounds)</li> </ul>
<b>Shipping Dimensions (WxDxH)</b>	SE750 with VIP601 on table	<ul style="list-style-type: none"> <li>• 1350 x 1300 x 1900mm (53 x 51 x 75 inches)</li> </ul>
<b>Shipping Weight</b>	SE750 with VIP601 on table	<ul style="list-style-type: none"> <li>• 400 kg (882 pounds)</li> </ul>

# SE1000, SE1200, and SE750 Shield Enclosure Solutions

## Dimensions

Table and shield enclosure



© Copyright 2018-2022 FormFactor, Inc. All rights reserved. No part of this document may be reproduced, transmitted or displayed in any form or by any means except as duly authorized by FormFactor, Inc. FormFactor and the FormFactor logo are trademarks of FormFactor, Inc. All other trademarks are the property of their respective owners.

### Important Notice

While the information contained herein is believed to be accurate as of the date hereof, no express or implied representations or warranties are made with respect to its accuracy or completeness. FormFactor, Inc., and its subsidiaries disclaim liability for any inaccuracies or omissions. All information is subject to change without notice.

Users are required to read and follow carefully all safety, compliance and use instructions. Users assume all loss and liability arising from the use of products in any manner not expressly authorized. The conditions and methods of use of products and information referred to herein are the entire responsibility of the user and, to the maximum extent permitted by applicable law, FormFactor, Inc., and its subsidiaries shall not be liable for any damages, losses, costs or expenses arising out of, or related to, the use thereof.

No license, express or implied, by estoppel or otherwise, under any intellectual property right is granted in connection herewith. Users shall take all actions required to avoid intellectual property infringement.

### Corporate Headquarters

7005 Southfront Road  
Livermore, CA 94551  
Phone: 925-290-4000  
[www.formfactor.com](http://www.formfactor.com)

