

AP200 Probe System with Loader

This guide contains information to help prepare your facility for the arrival of your AP200 probe station with loader.



NOTE

Facility requirements for thermal systems are listed separately. See the Facility Planning Guide specific to your thermal system for details.

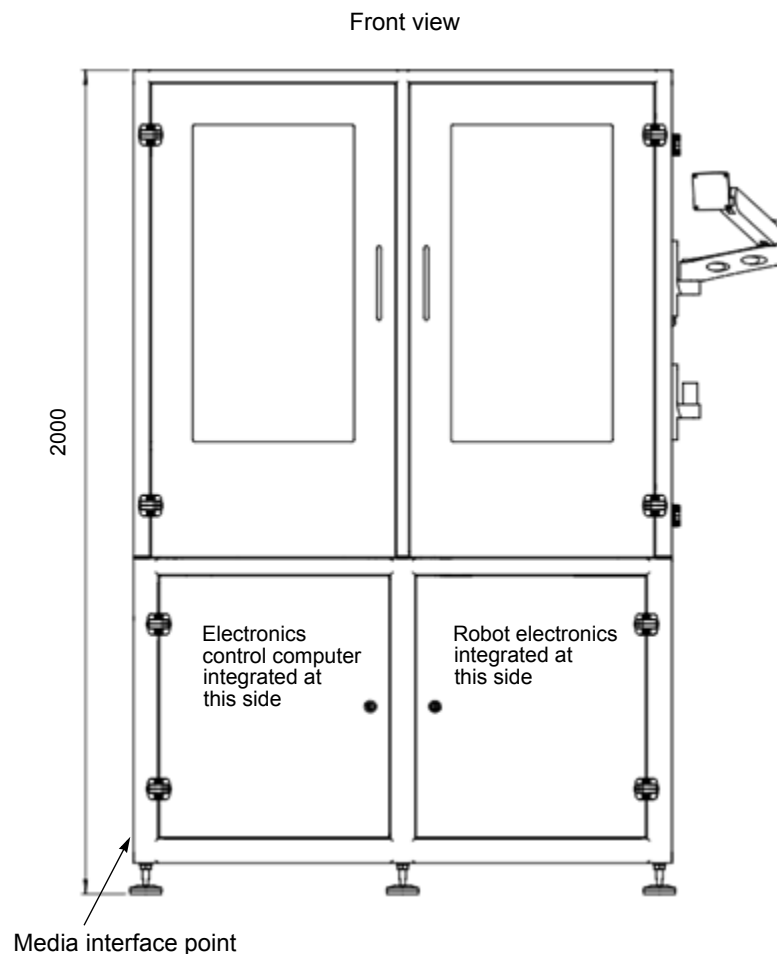
Probe Station Requirements

Air and Vacuum	Vacuum	<ul style="list-style-type: none"> • Less than 200 mbar absolute • Flow rate insignificant • 8 mm hose (US 5/16")
	Compressed air for vibration isolation table	<ul style="list-style-type: none"> • Filtered, dry and oil-free • Minimum 4 bar to 8 bar maximum • Flow rate insignificant • 8 mm hose (US 5/16")
Power	Probe station	• 100–240 V AC nominal, 50/60 Hz, 500 VA
	Protection class	• I (IEC 61140)
	Transient overvoltage	• Overvoltage category II (IEC 60364-4-443)
	Main connector–North America	The station has an integrated socket strip (UL-498, CSA, with NEMA 5-15R receptacles) with grounded mains plug NEMA 5-15P, 15A/125V.
	Main connector–Europe	The station has an integrated socket strip (with DIN 49440 sockets) with grounded mains plug CEE 7/7, DIN 49441, 16A/250V (German “Schuko”).
	Fuse for main connector	Ensure that a 16 A lead fuse is available in your facility power line where the proper main connector is plugged in.
Environmental Conditions	Humidity	<ul style="list-style-type: none"> • Tool area: 25% to 60% • Support equipment area: 25% to 60%
	Temperature	<ul style="list-style-type: none"> • Operating range: 19°C to 24°C • Target temperature: 22°C
		NOTE Keep electronics rack side ventilators and air expellers clear for air circulation.
	Pollution level	• 1 (IEC 60664)
	Clean room class	• Class 6 corresponding to DIN EN ISO 14644-1
	Tolerance	• 1K
	Vibrations	The facility should be free of vibrations caused by other equipment.
Additional Equipment	Thermal chuck	<ul style="list-style-type: none"> • Temperature range: room temperature to +150°C. • May require a coolant: - Dry air: 200 l/min at SATP, 0.5 to 0.7 MPa or 5 to 7 bar <p>WARNING</p> <p>FormFactor does not endorse or recommend using nitrogen instead of CDA for thermal system operation with any FormFactor system due to the risk of oxygen depletion in the working environment.</p> <p>If your testing configuration requires the use of nitrogen instead of CDA for MicroChamber or shielded environment purge, time in Quick Purge mode should be controlled. Discuss your setup with your safety and facilities departments to ensure that the oxygen flow in your working environment is adequate to dissipate any nitrogen build up. The use of oxygen sensor alarms is also recommended.</p>

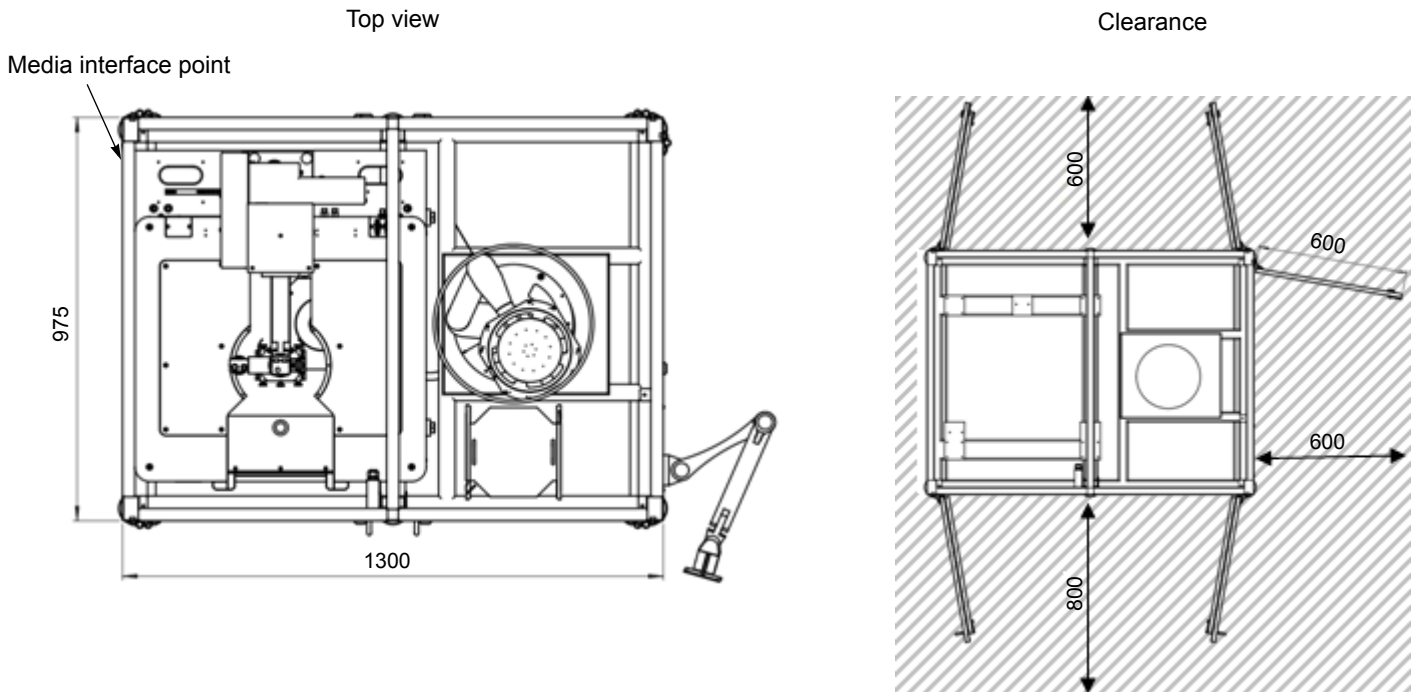
AP200 Probe System with Loader

Dimensions	Station	• 1300 mm (W) x 975 mm (D) x 2000 mm (H)	
	Electronics rack	• 450 mm (W) x 400 mm (D) x 230 mm (H), integrated in rack	
	Joystick controller	• 280 mm (W) x 250 mm (D) x 140 mm (H), can be mounted to external control console	
	Additional clearance	Front	• 800 mm for operator/installation
		Back	• 200 mm for cables • 600 mm during installation or service
Left		• 200 mm for cables	
Right		• 200 mm for cables • 600 mm during installation or service	
Top		• 2500 mm	
Weight	Station	• 750 kg	
Shipping Dimensions and Weight (approx. values)	Probe station box	• Dimensions: 11650 mm (W) x 1350 mm (D) x 2350 mm (H) • Weight: 800 kg	
	Accessories (with vibration isolation table)	• Dimensions: 1000 mm x 1000 mm (D) x 1000 mm (H) • Weight: 100 kg	

Dimensions (mm)



AP200 Probe System with Loader



© Copyright 2018 FormFactor, Inc. All rights reserved. No part of this document may be reproduced, transmitted or displayed in any form or by any means except as duly authorized by FormFactor, Inc. FormFactor and the FormFactor logo are trademarks of FormFactor, Inc. All other trademarks are the property of their respective owners.

Important Notice

While the information contained herein is believed to be accurate as of the date hereof, no express or implied representations or warranties are made with respect to its accuracy or completeness. FormFactor, Inc., and its subsidiaries disclaim liability for any inaccuracies or omissions. All information is subject to change without notice.

Users are required to read and follow carefully all safety, compliance and use instructions. Users assume all loss and liability arising from the use of products in any manner not expressly authorized. The conditions and methods of use of products and information referred to herein are the entire responsibility of the user and, to the maximum extent permitted by applicable law, FormFactor, Inc., and its subsidiaries shall not be liable for any damages, losses, costs or expenses arising out of, or related to, the use thereof.

No license, express or implied, by estoppel or otherwise, under any intellectual property right is granted in connection herewith. Users shall take all actions required to avoid intellectual property infringement.

Corporate Headquarters

7005 Southfront Road
Livermore, CA 94551
Phone: 925-290-4000
www.formfactor.com

